

Liquid-Activated Retractable CIP Spray Nozzle

Evaporator Dryer Technologies, Inc.



Flush mount nozzle in open position.



Double-wall flush mount nozzle in open position.

EDT's liquid-activated retractable CIP Spray Nozzles are superior components designed specifically to remain in place during production in sanitary food processing applications.

The retractable CIP spray nozzle features a liquid-activated spray head that fully extends under liquid pressure during CIP and fully retracts after CIP. A rotating spray head provides a wide spray with large jets to ensure complete cleaning of equipment and components.

The nozzle is USDA Accepted for sanitary operations and can be easily removed for inspection.

Features and Benefits

- ▶ Liquid-activated design uses less utilities and hookups for operation. No airlines required.
- ▶ Fully retractable spray head. Allows nozzle to remain in place during production without causing process disturbance.
- ▶ USDA accepted for sanitary process applications. Can be completely removed for inspection.
- ▶ Large spray range cleans hard to reach areas. Custom spray patterns available.
- ▶ Complete stainless steel construction.
- ▶ Less maintenance shortens CIP time.
- ▶ Designed with minimal number of components compared to other type nozzles. No breakable or leaking parts.
- ▶ Easy to assemble. No tools required.
- ▶ Available with 1" or 2" liquid connection.
- ▶ Standard ferrule mount or flush mount for uncladded, cladded and cladded/insulated vessels.



Evaporator Dryer Technologies, Inc.

1805 Ridgeway Street • Hammond, WI 54015 USA
Tel. 715.796.2313 • Fax. 715-796-2378
Website: www.evapdryertech.com
Email: info@evapdryertech.com

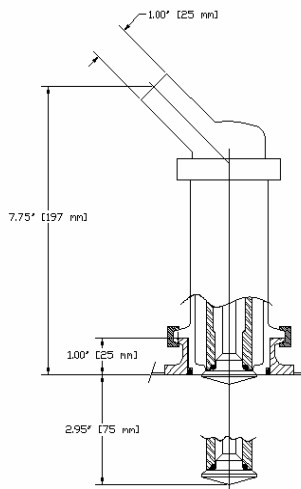
Liquid-Activated Retractable CIP Spray Nozzle

Evaporator Dryer Technologies, Inc.

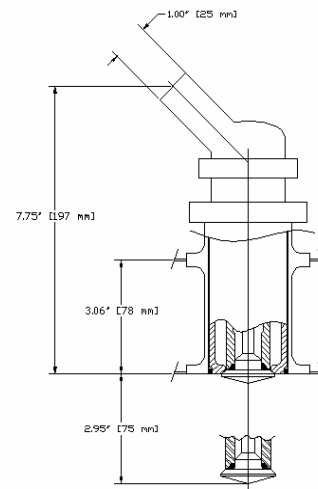
Liquid-Activated Retractable CIP Spray Nozzle



Standard Ferrule Mount



Flush Mount



Flush Mount Insulated

Specifications

Material	316 stainless steel
Liquid Pressure Requirements	25 - 40 psig (opening pressure 12 psig)
Spray Pattern	spray jet; 360° x 200° coverage; 8 to 12 feet in diameter
Flow Rates	25 - 28 GPM
Custom Spray Pattern	custom design spray patterns available

Evaporator Dryer Technologies, Inc. is an engineering company providing the services of design, engineering and supply of evaporating and spray drying systems and components with an innovative approach that will modernize and improve plant performance and operational safety.



**Evaporator Dryer
Technologies, Inc.**

1805 Ridgeway Street • Hammond, WI 54015 USA
Tel. 715.796.2313 • Fax. 715-796-2378
Website: www.evapdryertech.com
Email: info@evapdryertech.com